

VELP Scientifica Brushless Motors for CONTROLLER Advance and Digital



A00000415

Motor 10 lb*in, 417 rpm, 1/11 HP -24V



A00000416

Motor 28 lb*in, 500 rpm, 1/4 HP -24V



A00000417

Motor 55 lb*in, 250 rpm, 1/4 HP -24V

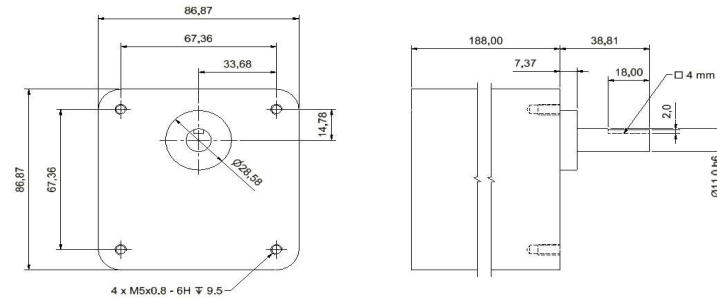
Torque [N*cm]	113	316	621
Torque [lb*in]	10	28	55
Speed range [rpm]	20 - 417	35 - 500	15 - 250
Power supply [V]	24	24	24
Power [W]	68	187	187
Power [HP]	1/11	1/4	1/4
Shaft diameter [mm]	11	19	19
Shaft length [mm]	31,4	42,4	42,4
Cables length [m]	1,5	1,5	1,5
Reactor Volume	Up to 25 liters of water	Up to 50 liters of water	Up to 100 liters of water



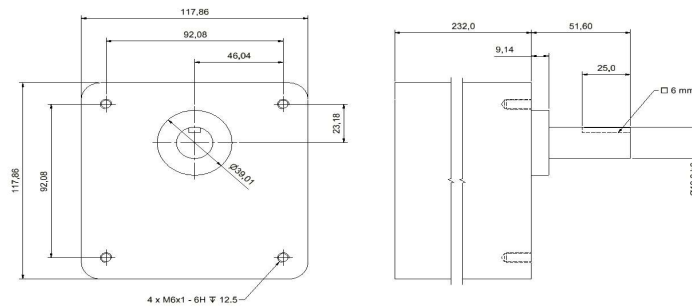
www.velp.com

VELP Scientifica Brushless Motors for CONTROLLER Advance & Digital - Fixing Informations

A00000415
Motor 10 lb*in, 417 rpm, 1/11 HP -24V



A00000416
Motor 28 lb*in, 500 rpm, 1/4 HP -24V



A00000417
Motor 55 lb*in, 250 rpm, 1/4 HP -24V

